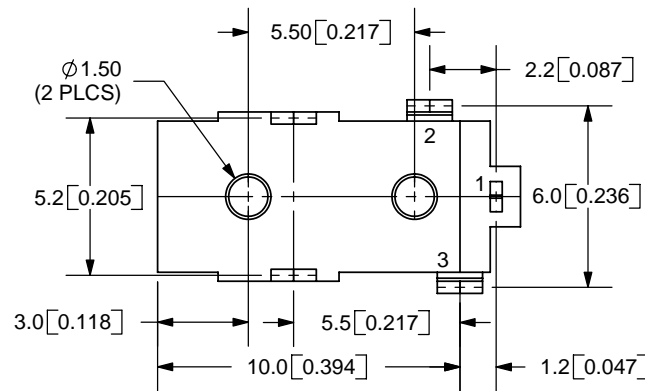
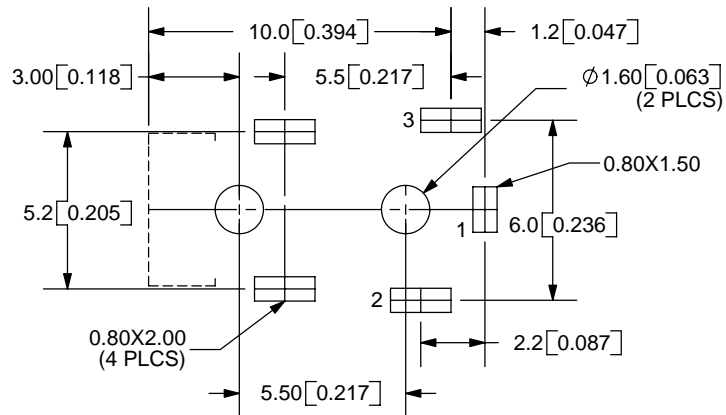
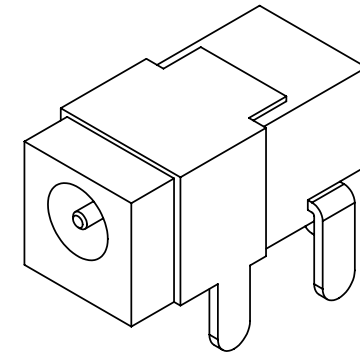
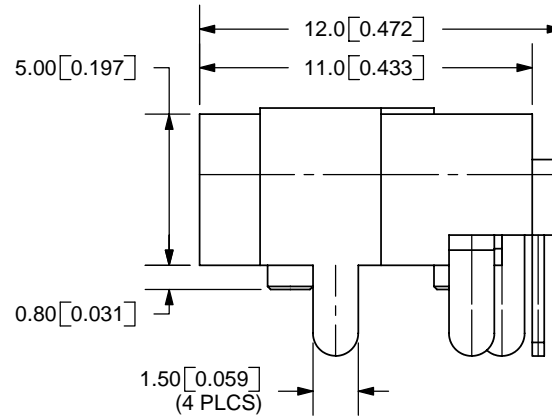
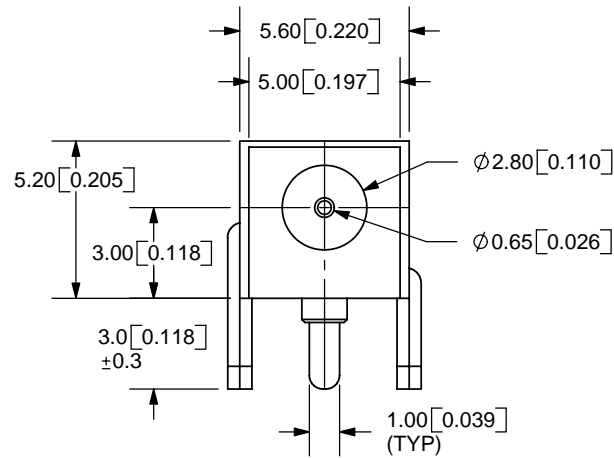


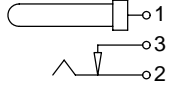
REV.	DESCRIPTION	DATE
A	NEW DRAWING	4/17/2006



TOLERANCE:
X.X ±0.2mm
X.XX ±0.1mm
X.XXX ±0.05mm



PCB LAYOUT
TOP VIEW

MODEL NO.	PJ1-023
SCHEMATIC	

CENTER PIN DIAMETER 0.65mm Dia.

SPECIFICATIONS:
RATING: 16V DC @ 1A
CONTACT RESISTANCE: 30m OHMS MAX
INSULATION RESISTANCE: 50M OHMS MIN: 500V DC
VOLTAGE WITHSTAND: 500V AC R.M.S. FOR 1 MINUTE
LIFE: 5,000 CYCLES

	MATERIAL	PLATING
CENTER PIN	Brass	Silver
TERMINAL 1	Brass	Silver
TERMINAL 2	Copper Alloy	Silver
TERMINAL 3	Brass	Silver
SHIELD	Cold Rolled Steel	
HOUSING	PA66	



9615 SW Allen Blvd., Ste. 103
Beaverton, OR 97005
Phone: 503-643-4899
800-275-4899
Fax: 503-372-1266
Website: www.cui.com

TITLE:	0.65mm DC POWER JACK, PCB MOUNT w/SHIELD	REV:	A
PART NO.	PJ1-023	UNITS:	MM [INCHES]
DRAWN BY:	ZRJ	APPROVED BY:	
		SCALE:	4:1

PC FILE NAME:
PJ1-023

COPYRIGHT 2006 BY CUI INC.